



Royal Industrial Suppliers

Quality Fasteners Specialist

No. 4, M.G.S. Complex, Benki Nawab Street, S.P. Road Cross, Bangalore 560002

An ISO 9001:2015 Certified Co



8310165941 / 9008782885



sales@royalfastenersindia.com



www.royalfastenersindia.com

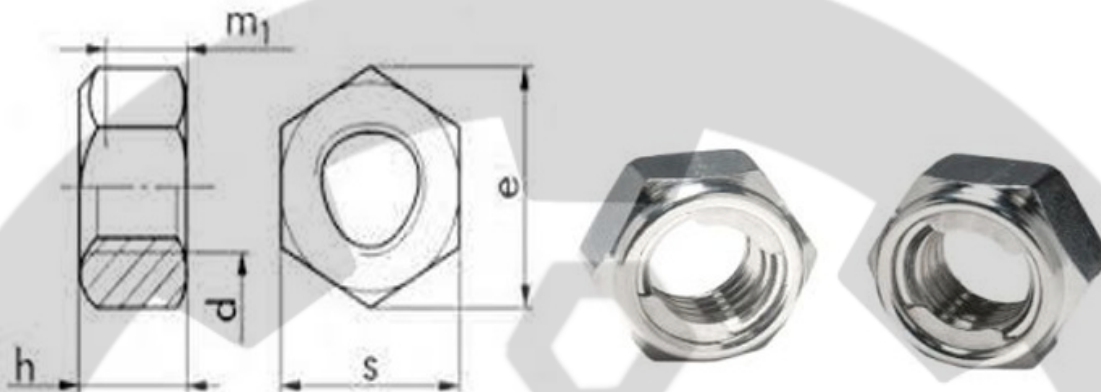
METAL LOCK NUT

DIN 980

CATALOGUE NUMBER: R6D67M

AISI 316 A4

Prevailing Torque Type All Metal Hex Self Locking Nuts



Send your Orders / Enquiries along with the following Item Codes

All Dimensions are in MM

Nominal Size d Thread Size ↓	PART NO.	Width Across Flat		Width Across Corners	Nut Height
		s Min	s Max	e Min	m
M3x0.5	R6D67M03000	5.32	5.5	6.01	2.40
M4x0.7	R6D67M04000	6.78	7	7.66	3.20
M5x0.8	R6D67M05000	7.78	8	8.79	4.00
M6x1.0	R6D67M06000	9.78	10	11.05	5.00
M7x1.0	R6D67M07000	12.73	13	14.38	5.50
M8x1.25	R6D67M08000	12.73	13	14.38	6.50
M10x1.5	R6D67M10000	16.73	17	18.90	8.00
M12x1.75	R6D67M12000	18.67	19	21.10	10.00
M14x2.0	R6D67M14000	21.67	22	24.19	11.00
M16x2.0	R6D67M16000	23.67	24	26.75	13.00
M18x2.5	R6D67M18000	26.16	27	29.56	15.00
M20x2.5	R6D67M20000	29.16	30	32.95	16.00
M22x2.5	R6D67M22000	31.00	32	35.03	18.00
M24x3.0	R6D67M24000	35.00	36	39.55	19.00

Sizes in BLUE are non-preferred. Availability is limited and MOQ is higher.

Data is strictly informative.

Note: All Austenitic Stainless Steel Fasteners may exhibit some Magnetic Properties due to the Manufacturing Process.

Refer: ISO 3506-2 Annex F